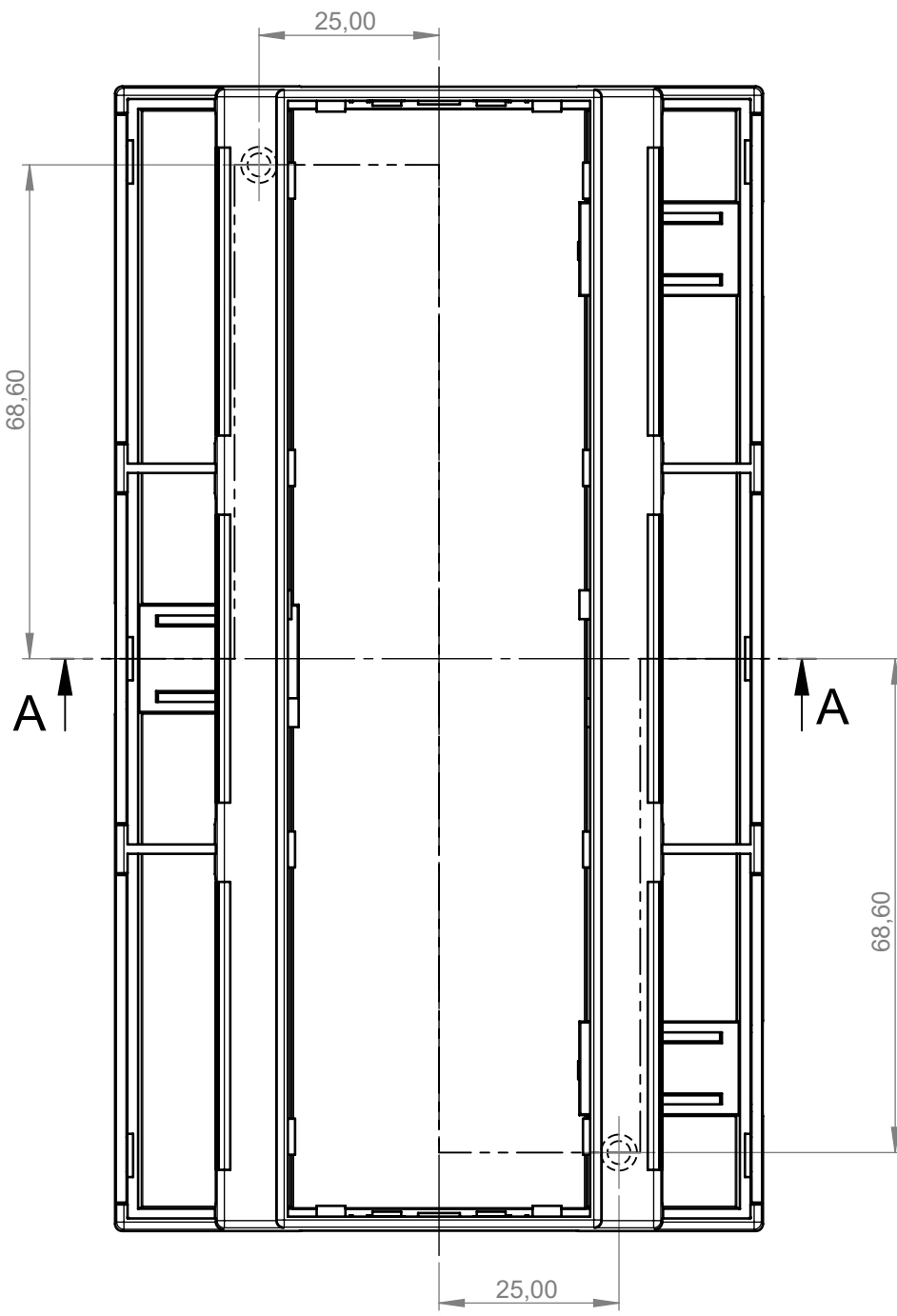
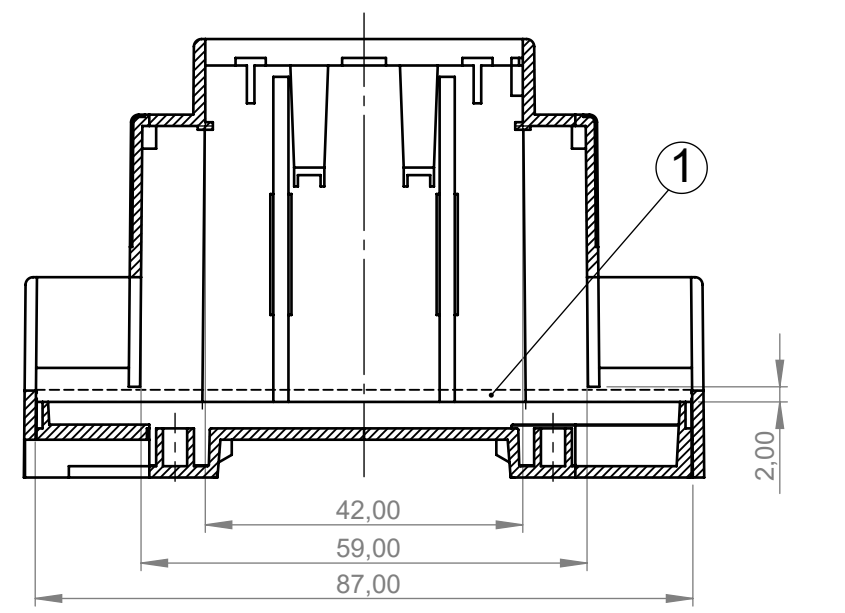
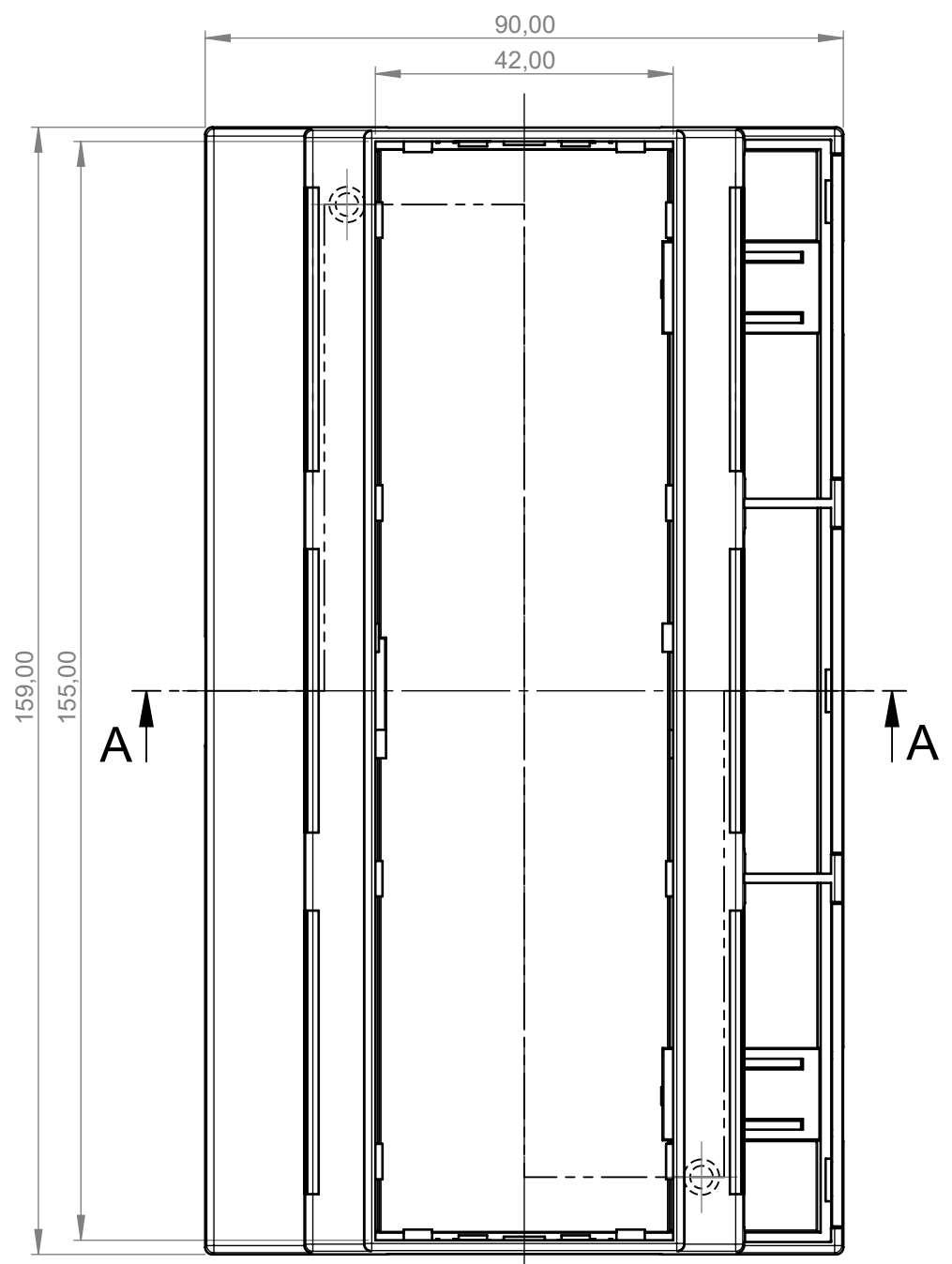
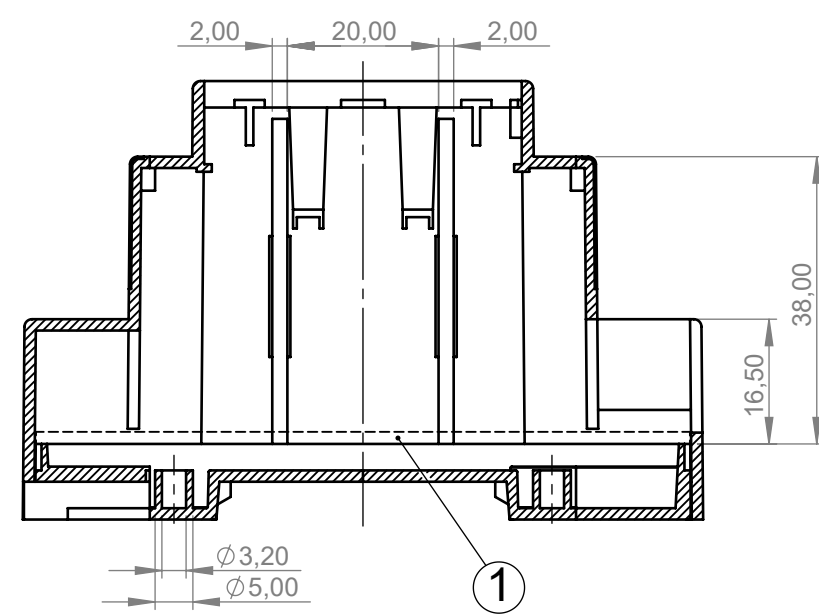


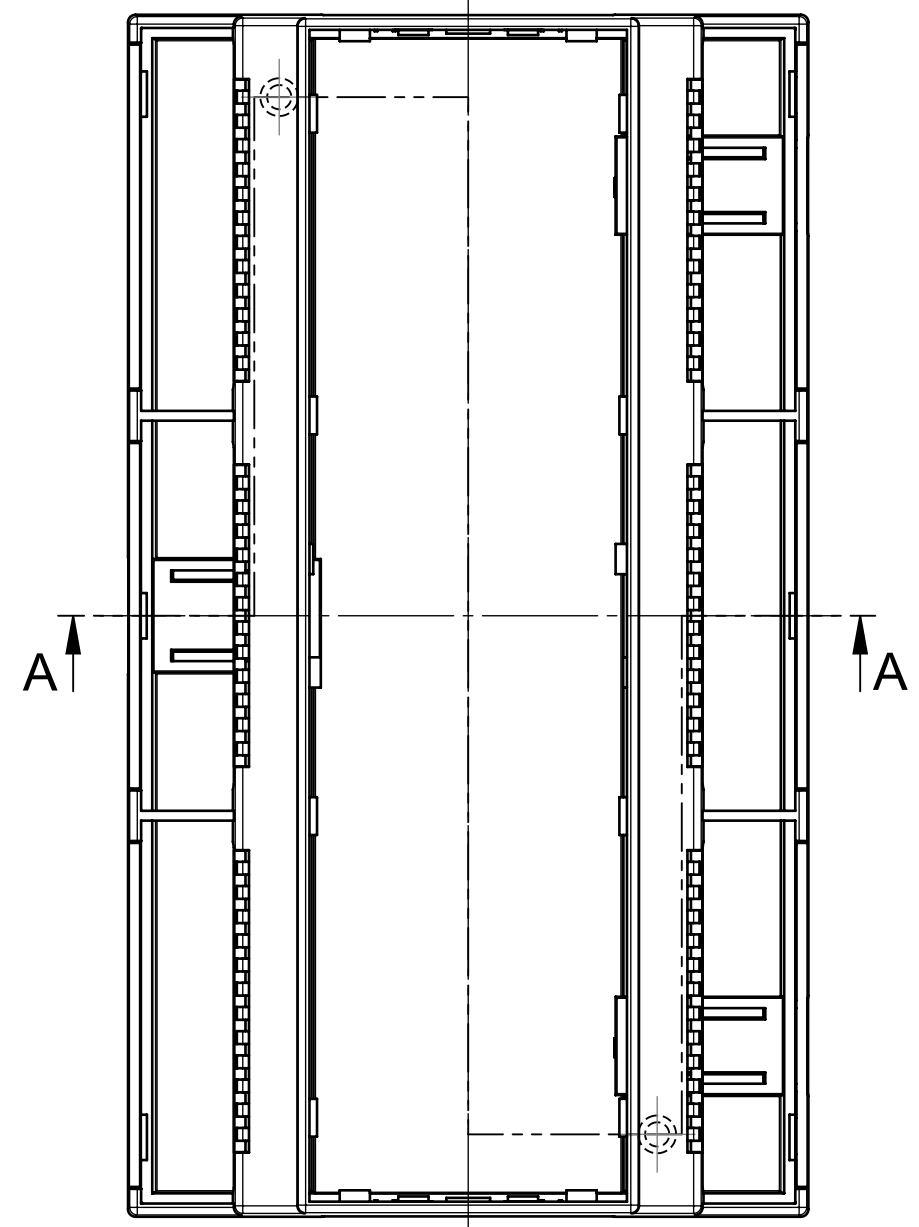
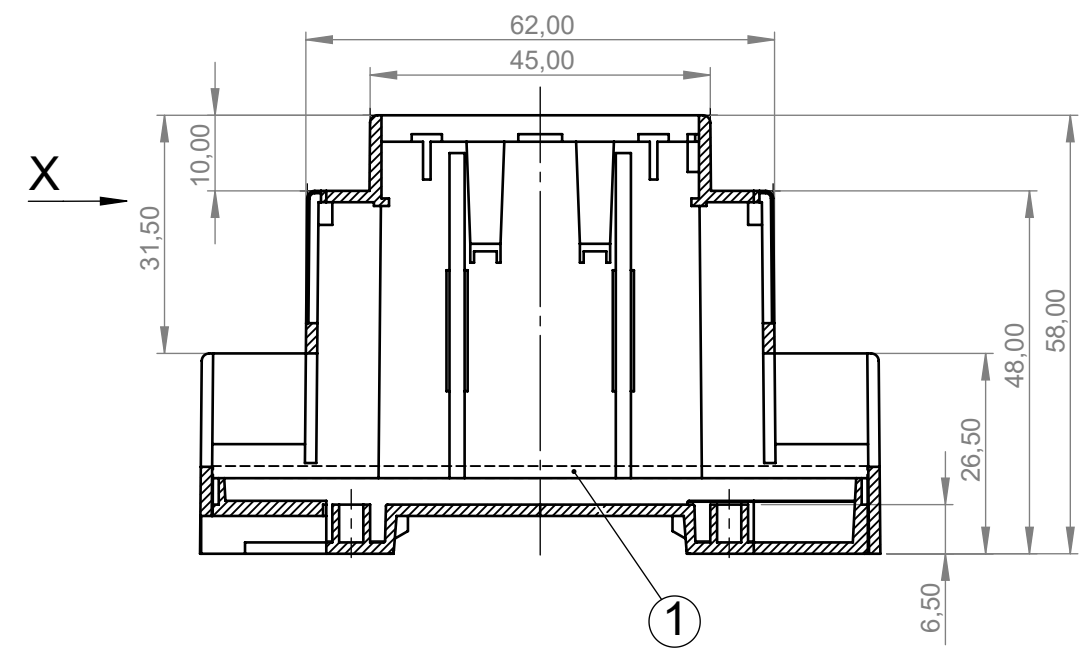
B 67 06 100 A-A
Vers. I: connection side with free through passage
front open
2 sides open



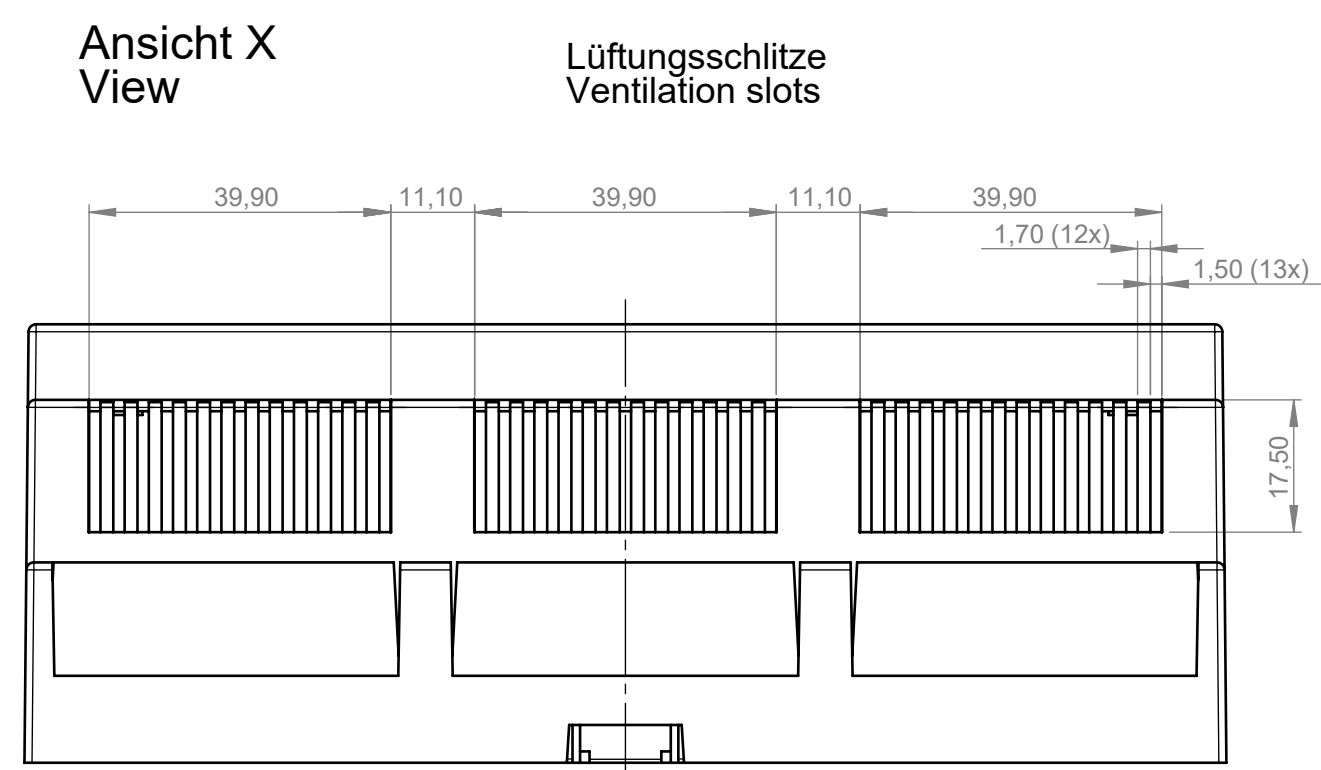
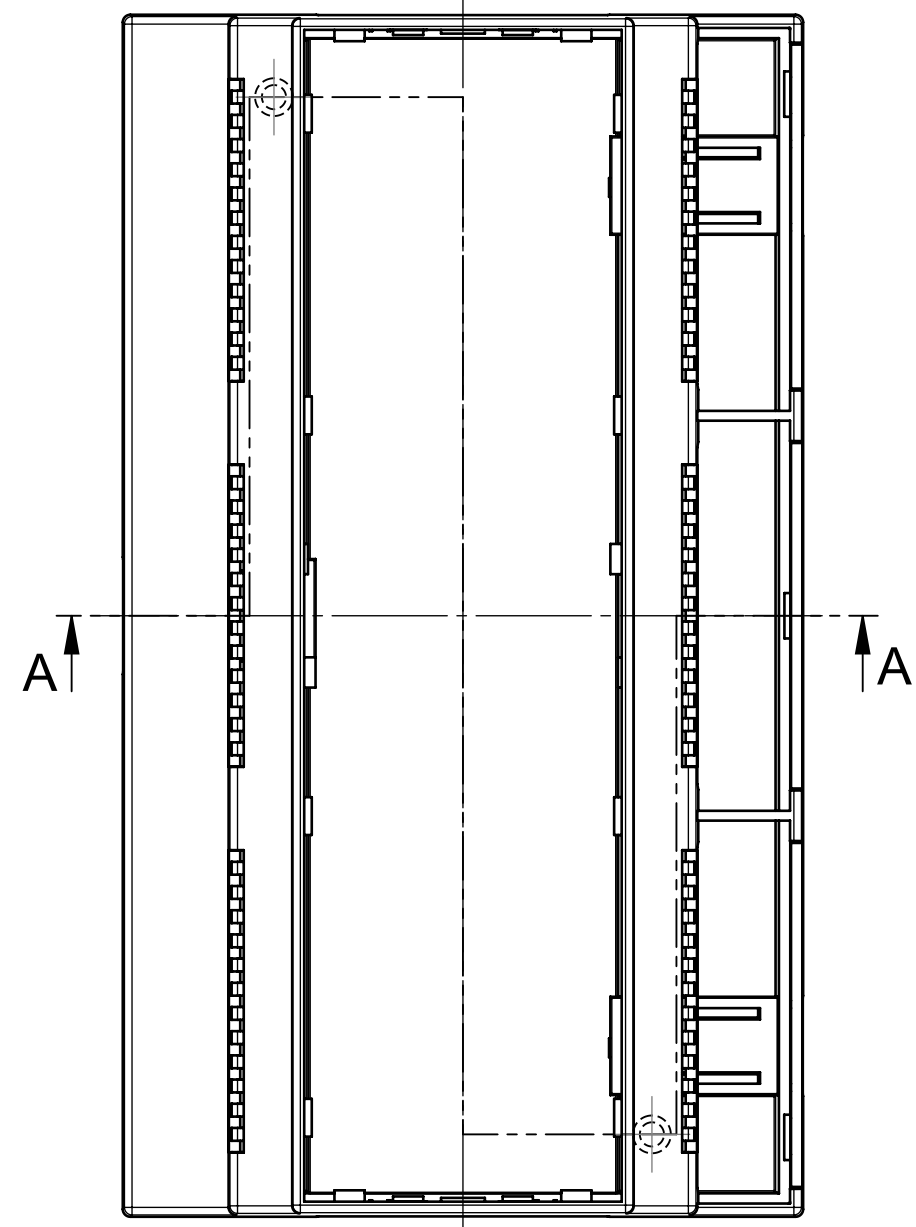
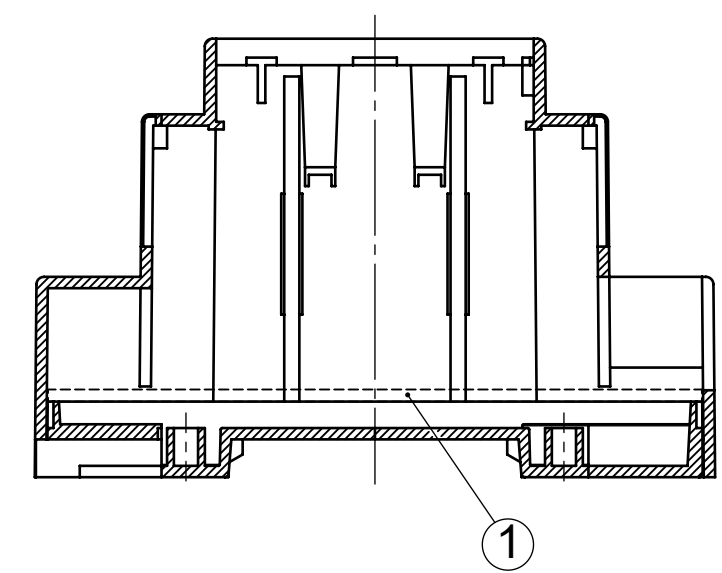
B 67 06 101 A-A
Vers. I: connection side with free through passage
front open
1 side open



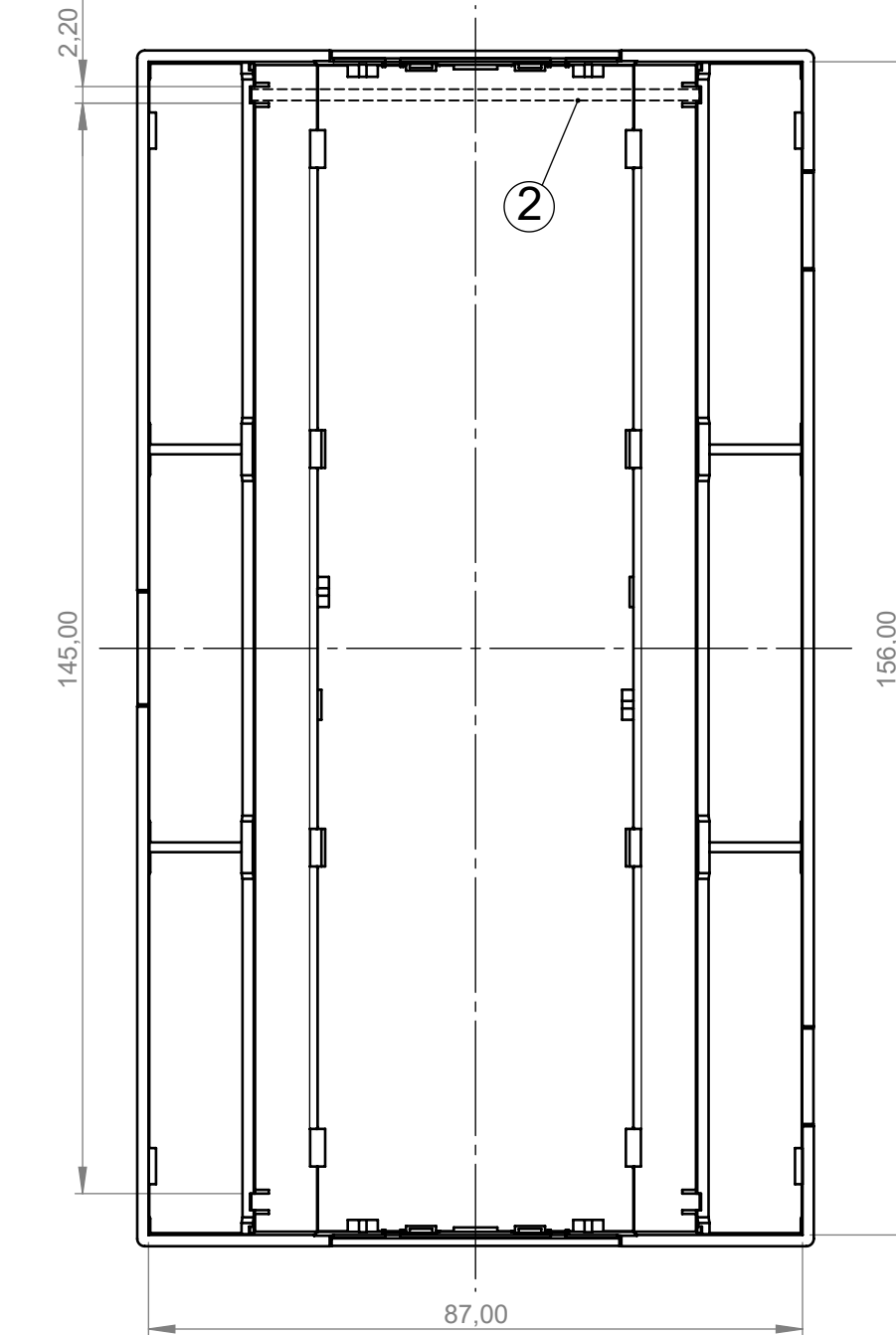
B 67 06 102 A-A
Vers. II: connection side with free through passage
front open
2 sides open



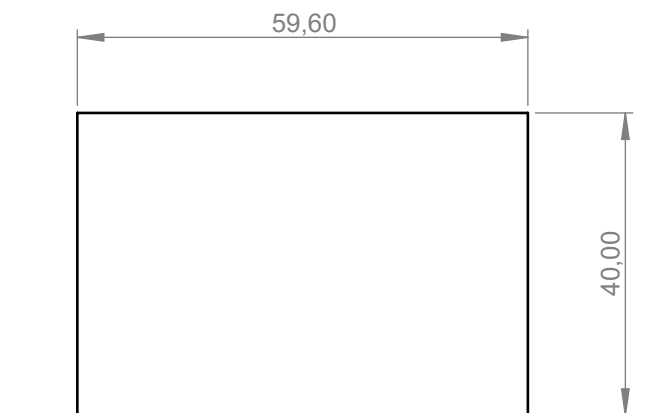
B 67 06 103 A-A
Vers. II: connection side with free through passage
front open
1 side open



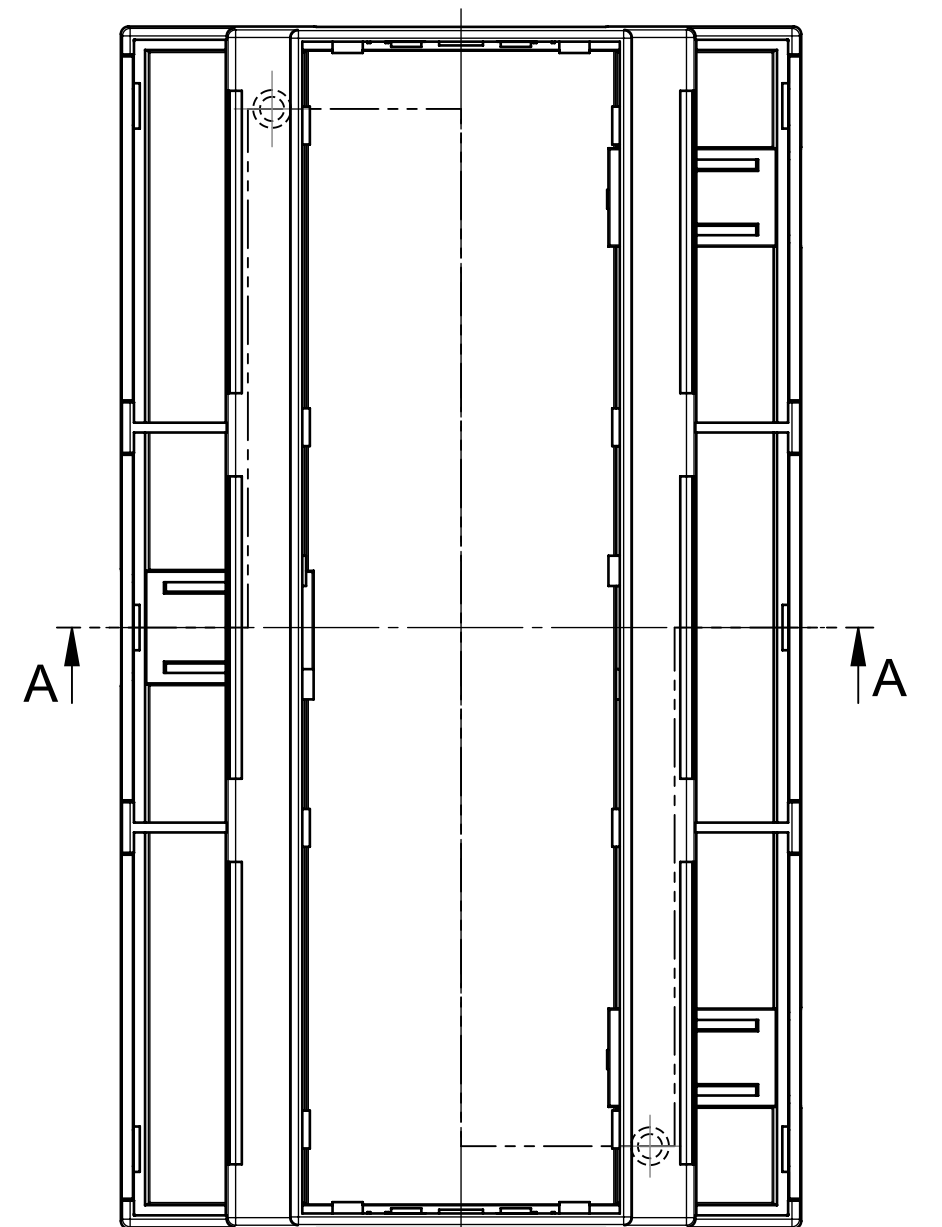
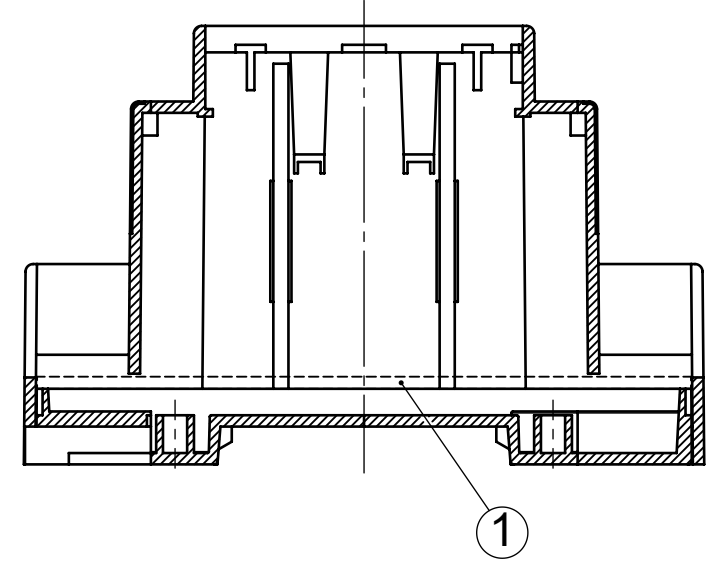
**Innenansicht
Inside view**



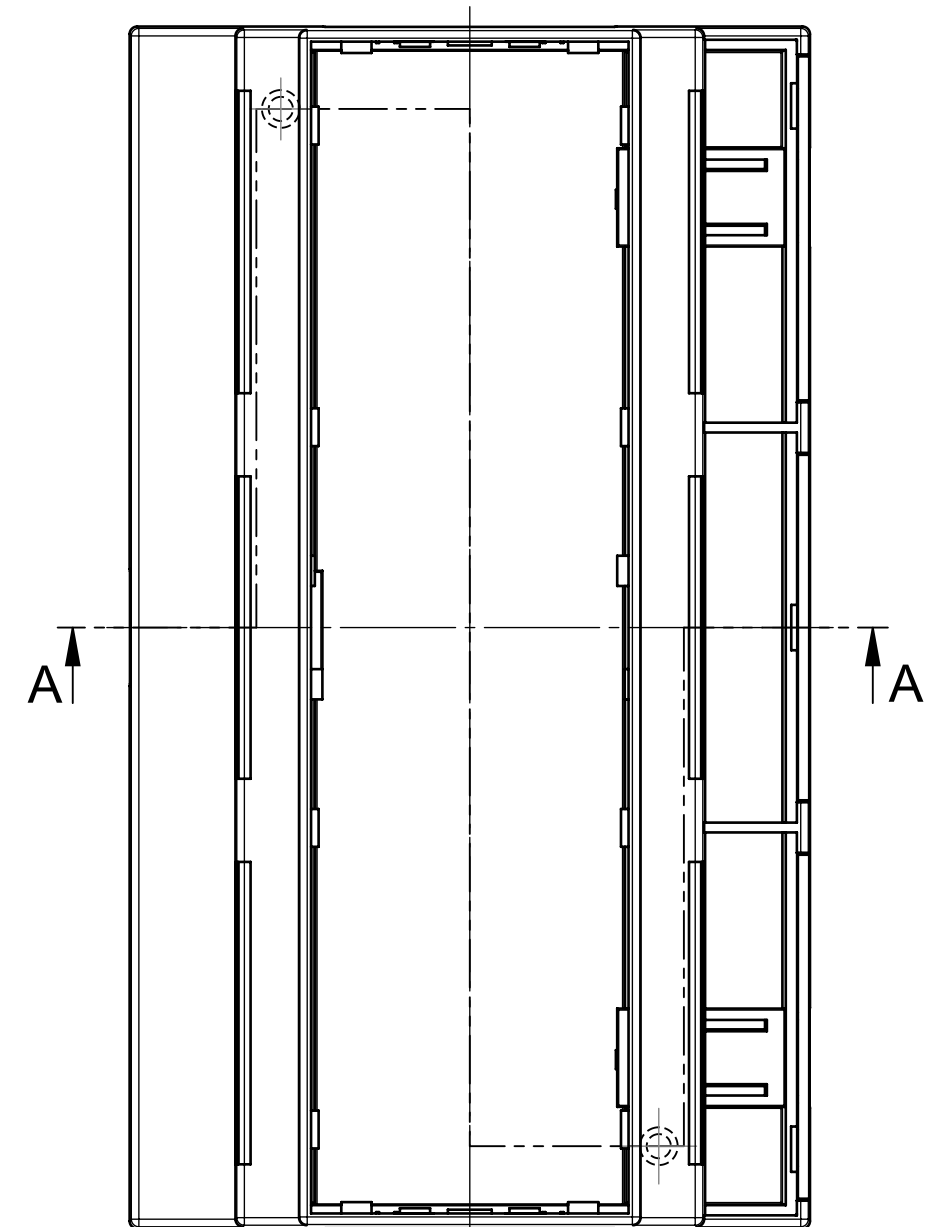
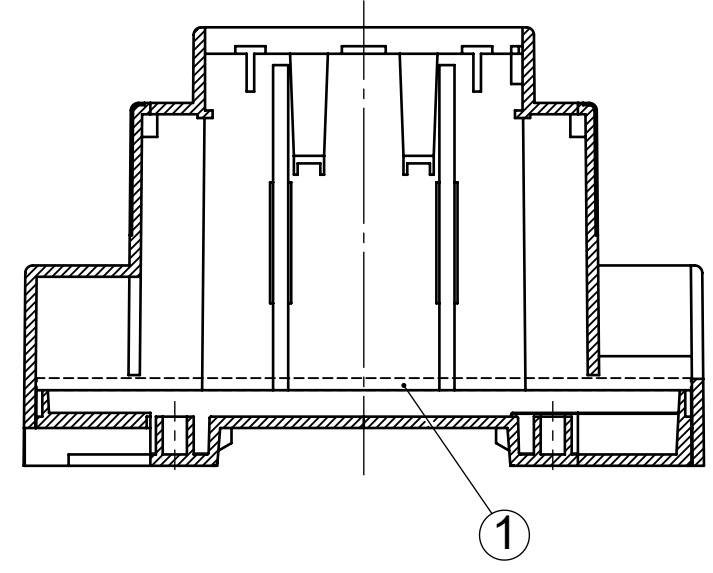
② Vertikale Platine für das Oberteil
Vertical PCB for top



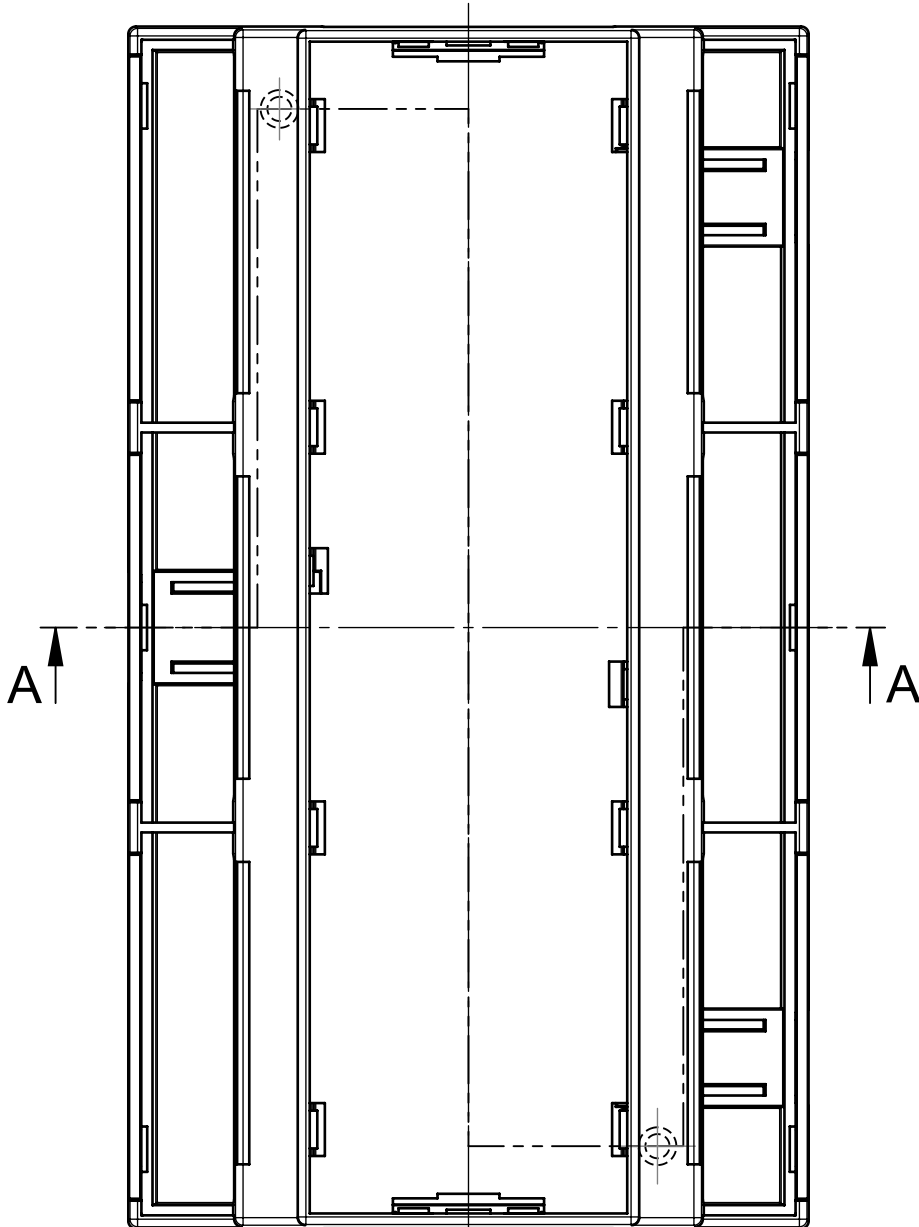
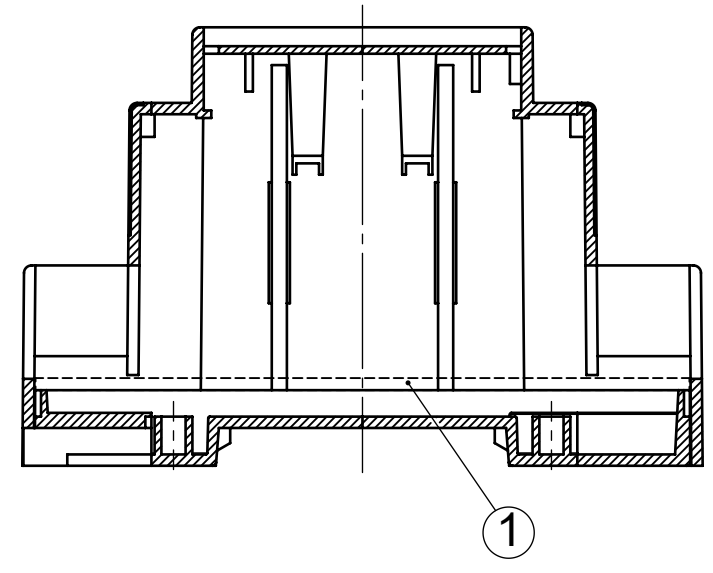
B 67 06 104 A-A
Vers. III: connection side with extended case wall
front open
2 sides open



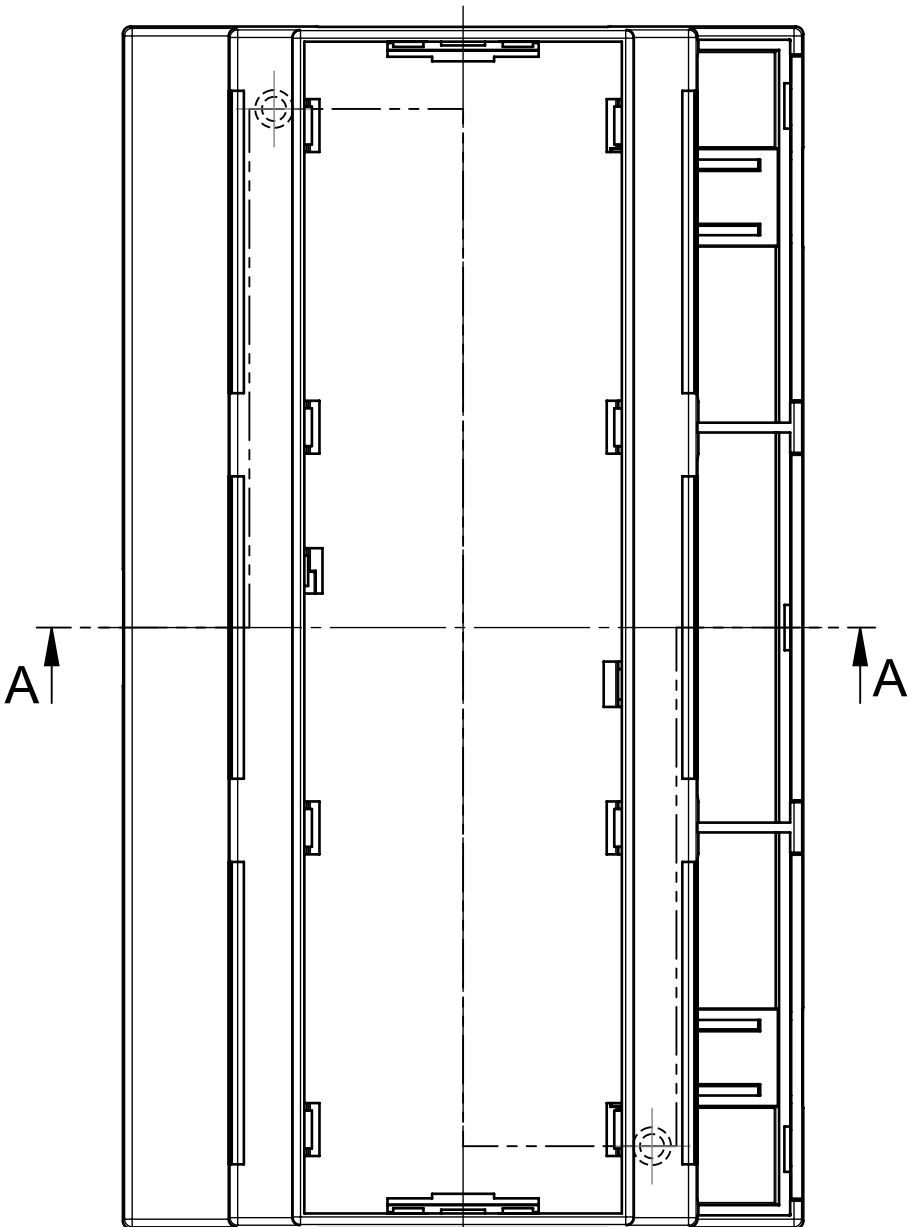
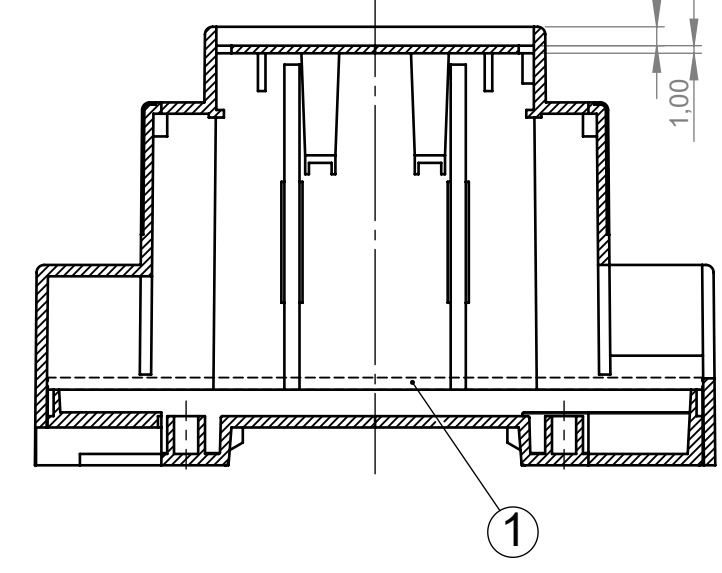
B 67 06 105 A-A
Vers. III: connection side with extended case wall
front open
1 side open



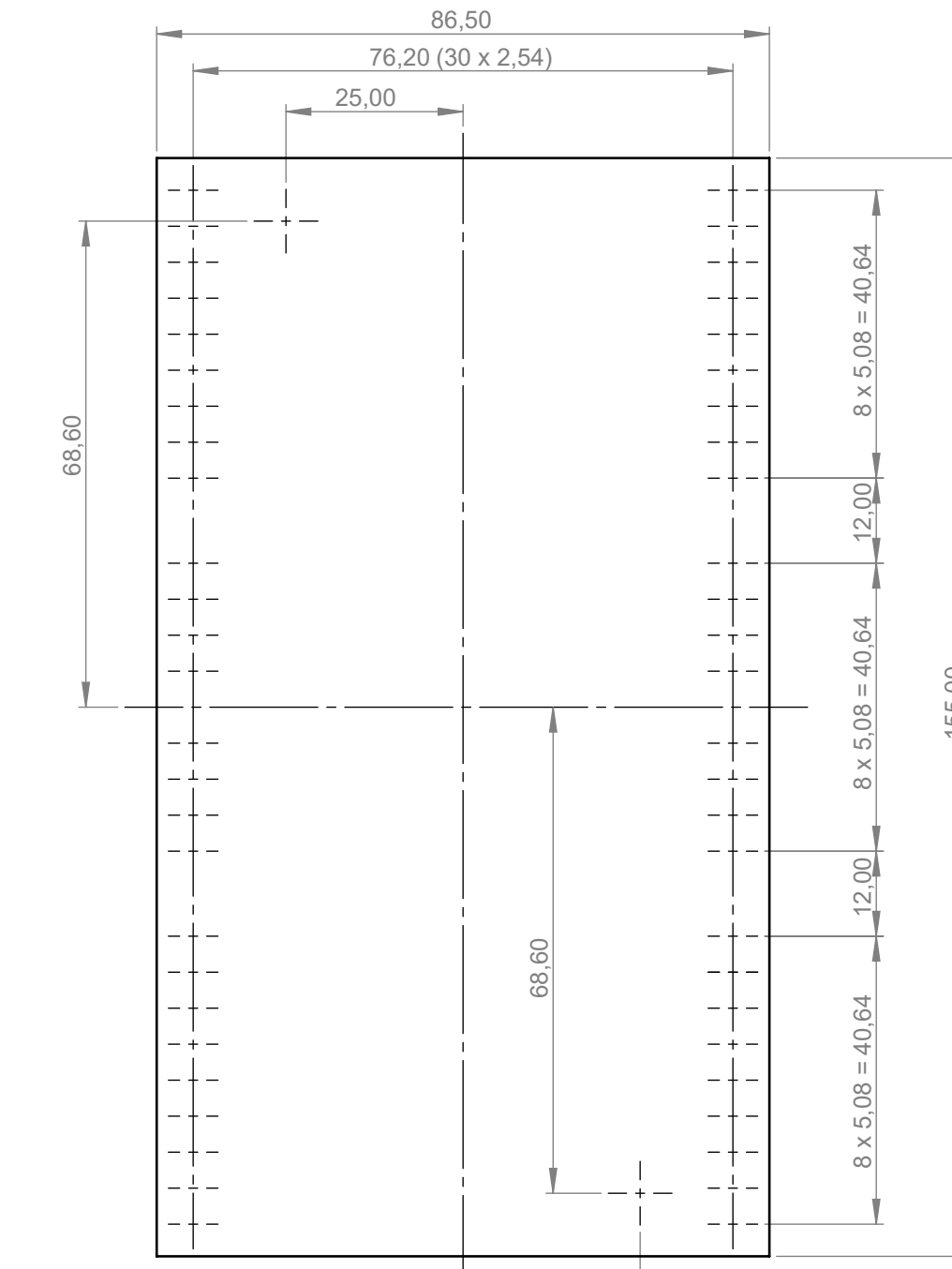
B 67 06 106 A-A
Vers. IV: connection side with free through passage
front closed
2 sides open



B 67 06 107 A-A
Vers. IV: connection side with free through passage
front closed
1 side open

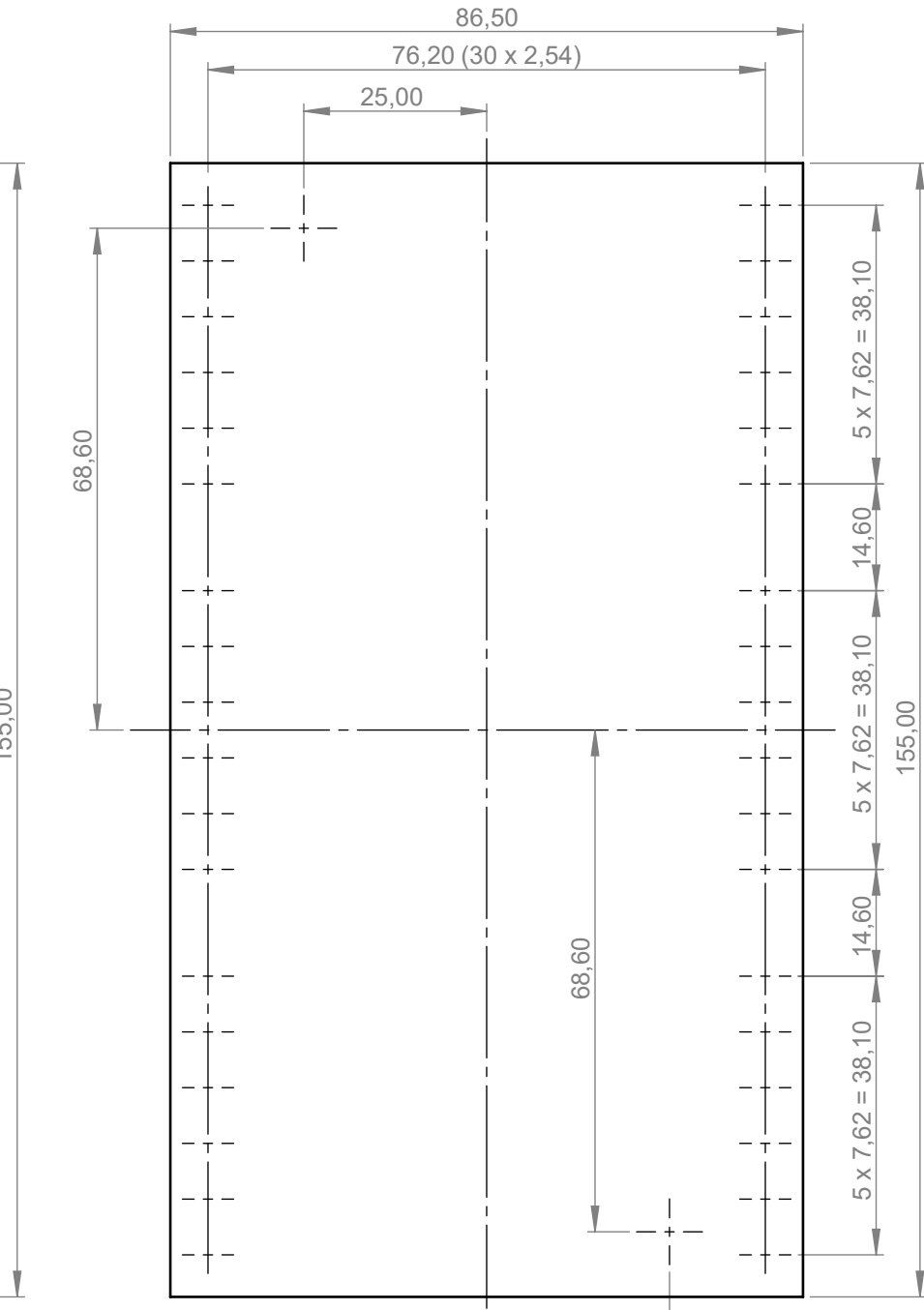


① Platine für Printklemme
PCB for terminal block
für Klemmenabdeckung: B 68 04 112
B 68 04 113
für terminal guards: B 68 04 112
B 68 04 113



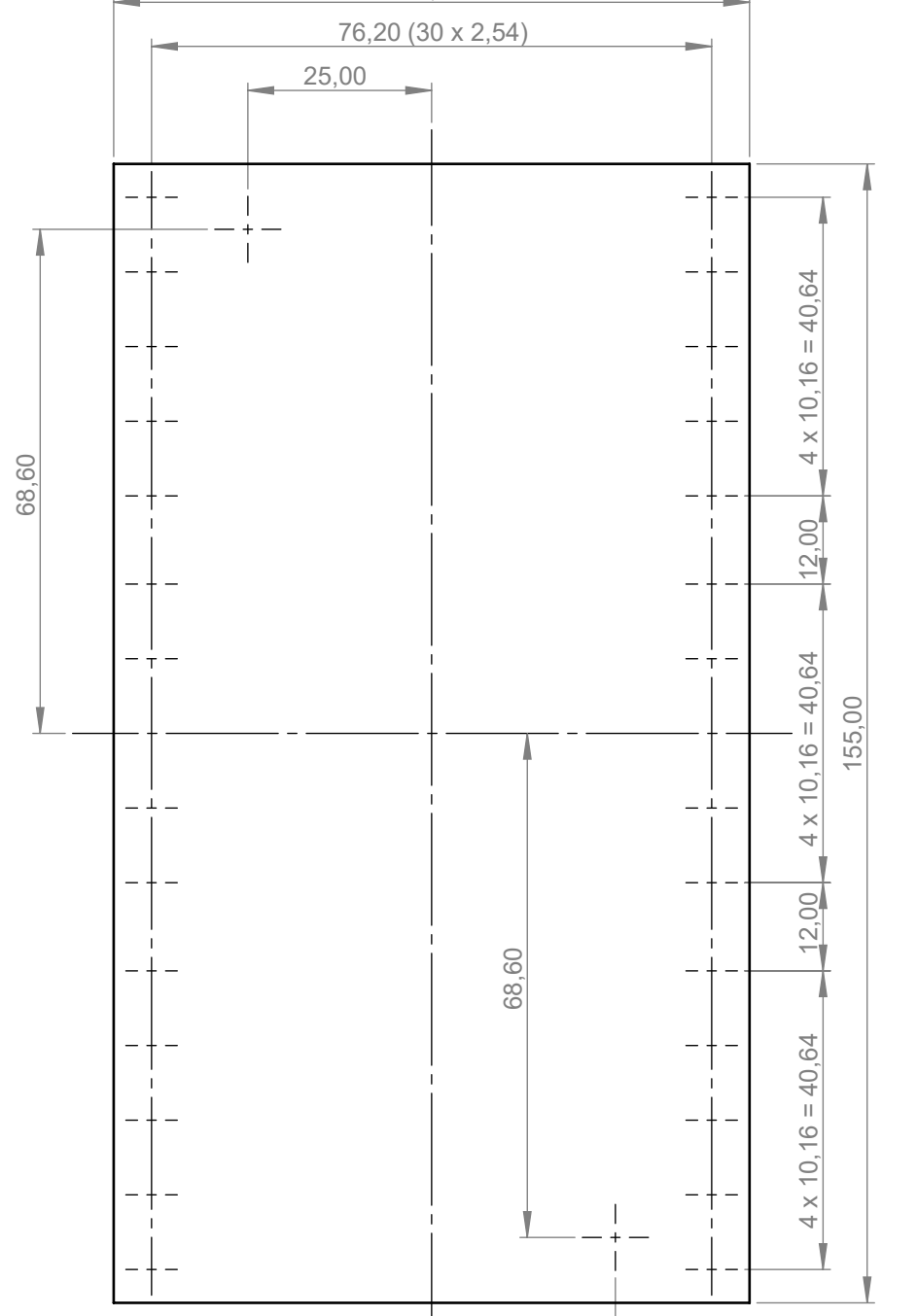
1,6 mm dick
thickness 1,6 mm

① Platine für Printklemme
PCB for terminal block
für Klemmenabdeckung: B 68 04 114
für terminal guards: B 68 04 114



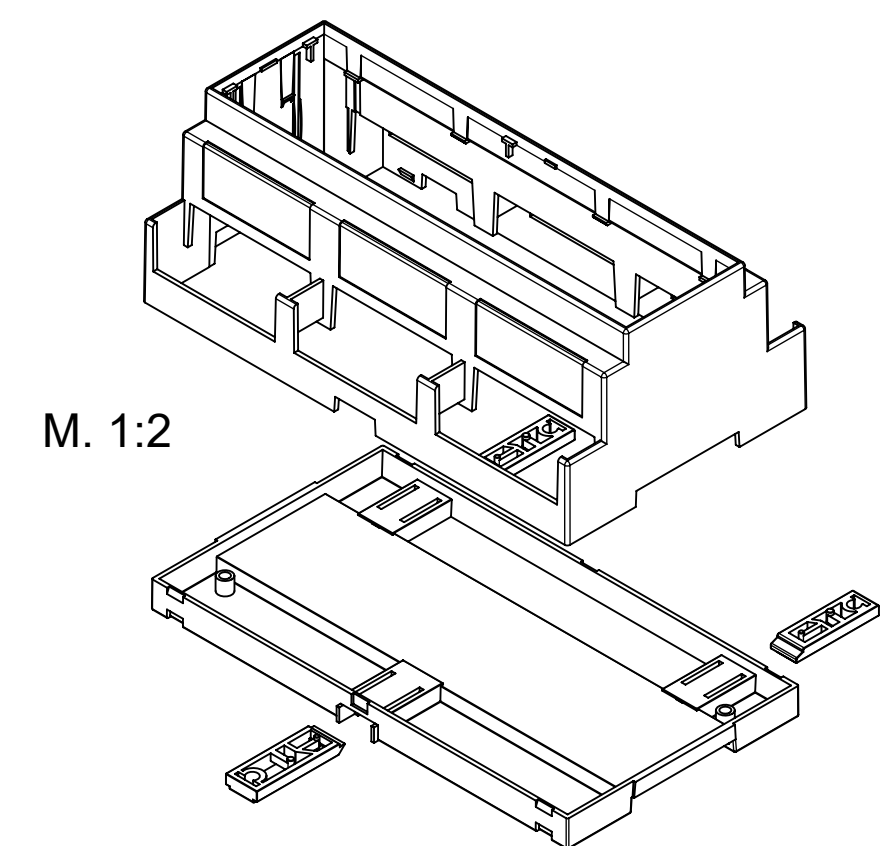
1,6 mm dick
thickness 1,6 mm

① Platine für Printklemme
PCB for terminal block
für Klemmenabdeckung: B 68 04 115
für terminal guards: B 68 04 115



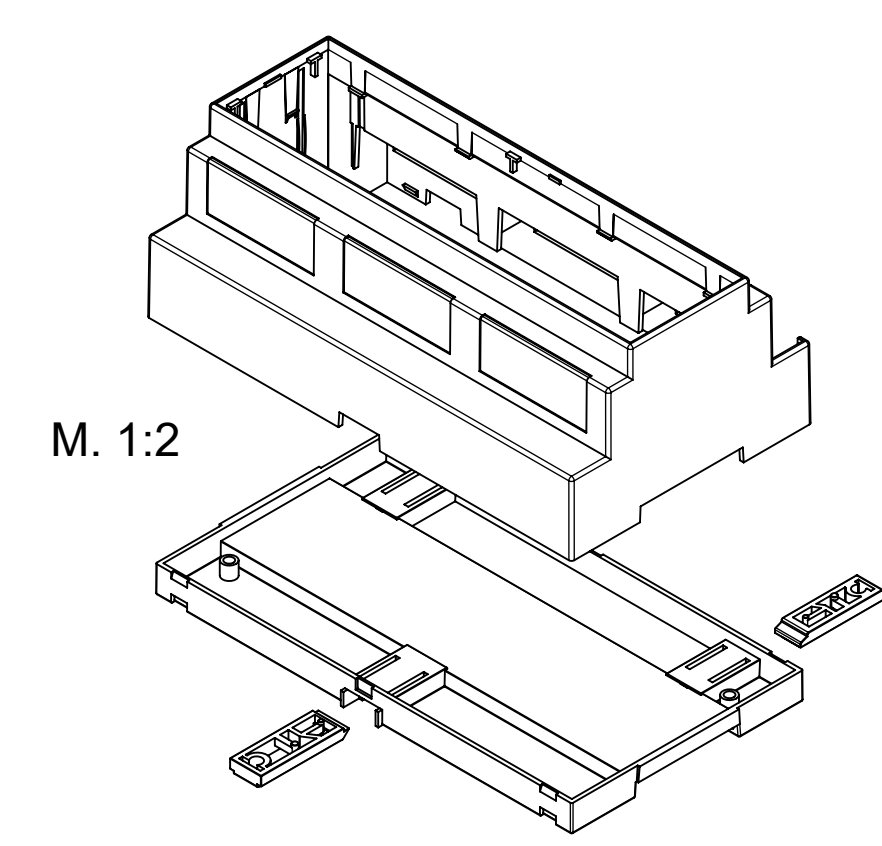
1,6 mm dick
thickness 1,6 mm

B 67 06 100 Vers. I



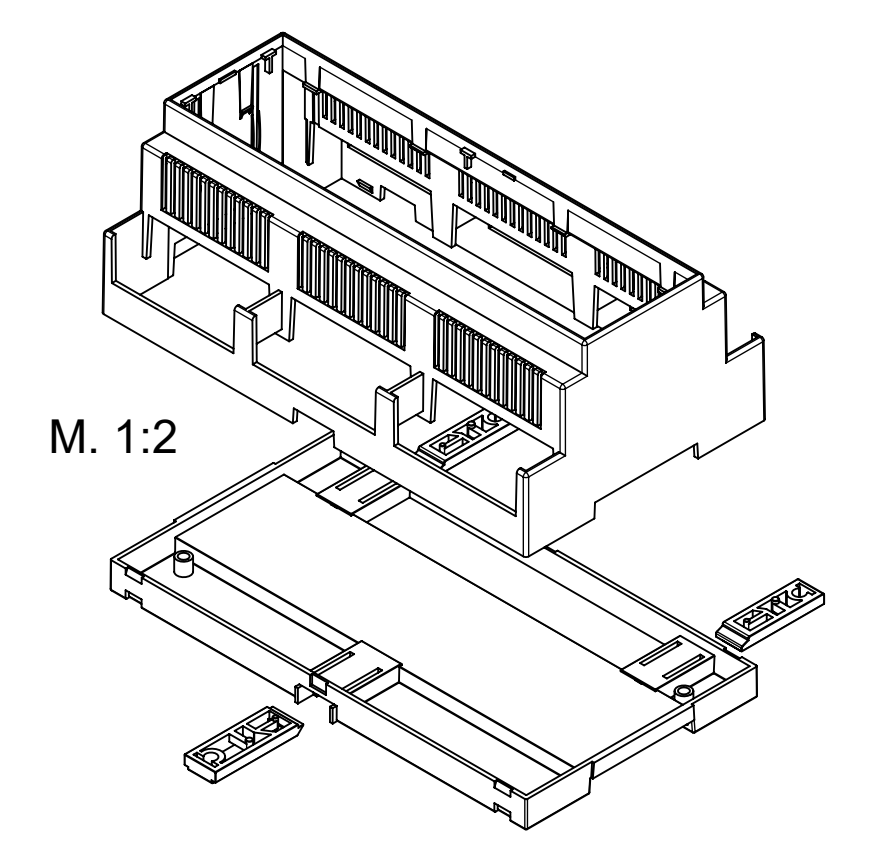
M. 1:2

B 67 06 101 Vers. I



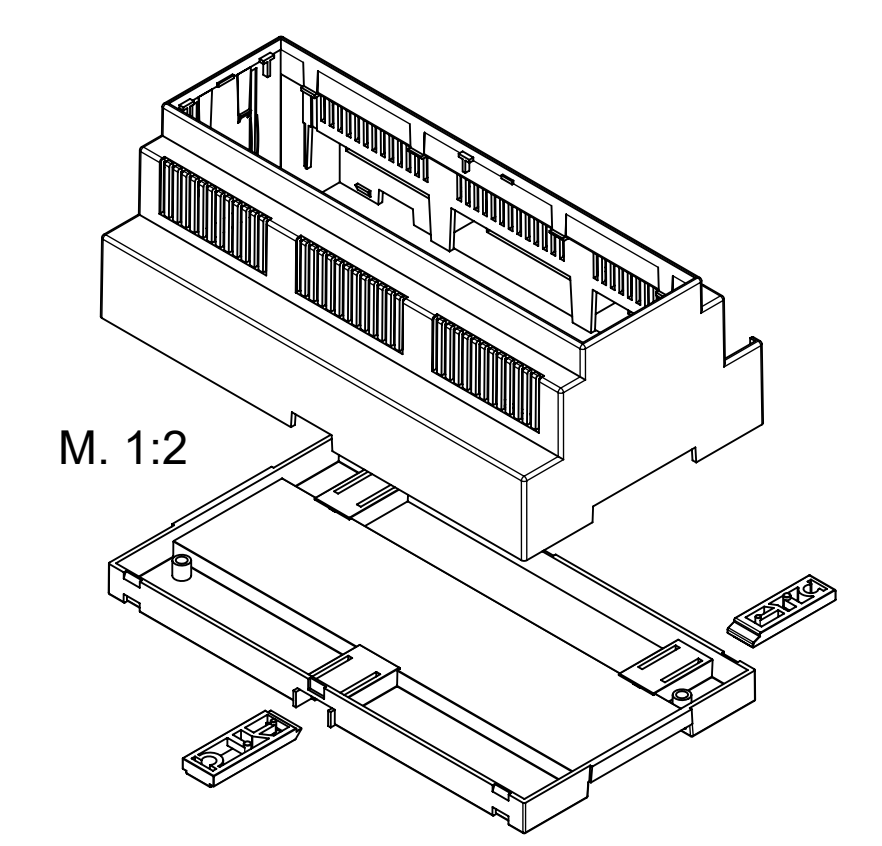
M. 1:2

B 67 06 102 Vers. II



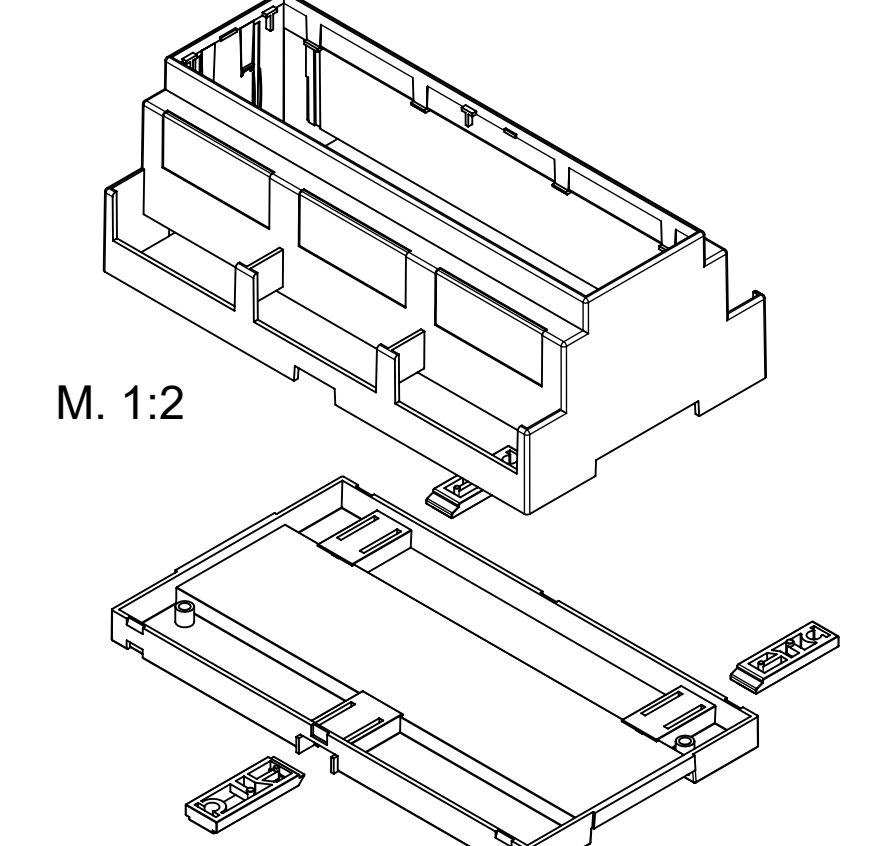
M. 1:2

B 67 06 103 Vers. II



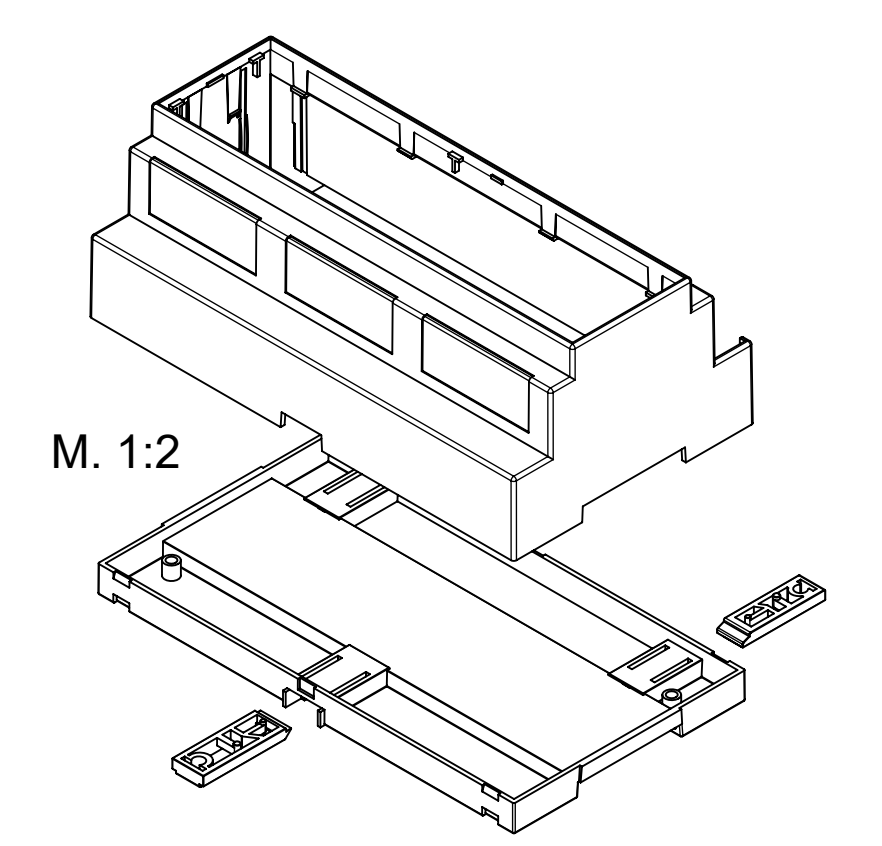
M. 1:2

B 67 06 104 Vers. III



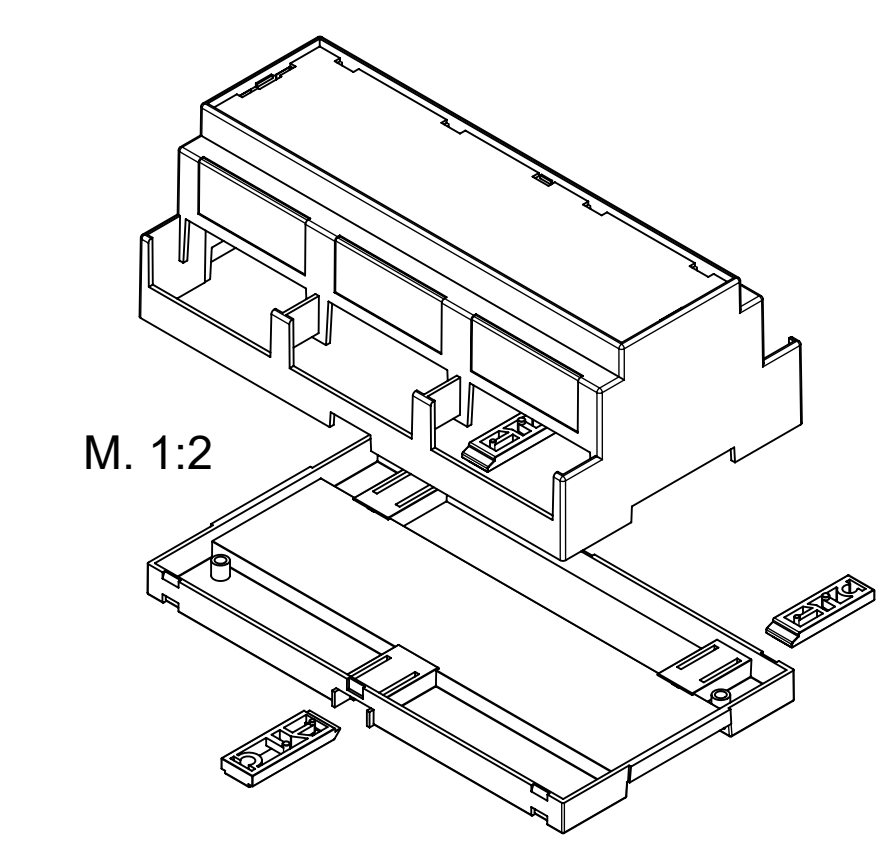
M. 1:2

B 67 06 105 Vers. III



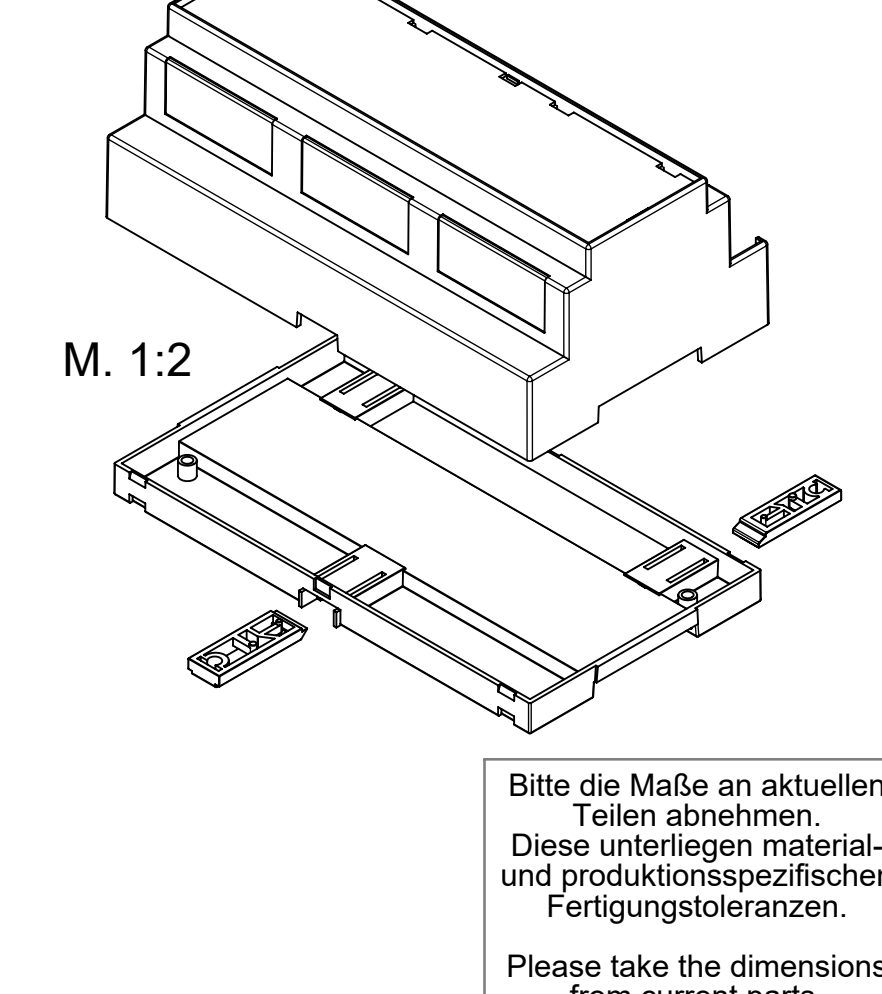
M. 1:2

B 67 06 106 Vers. IV



M. 1:2

B 67 06 107 Vers. IV



M. 1:2